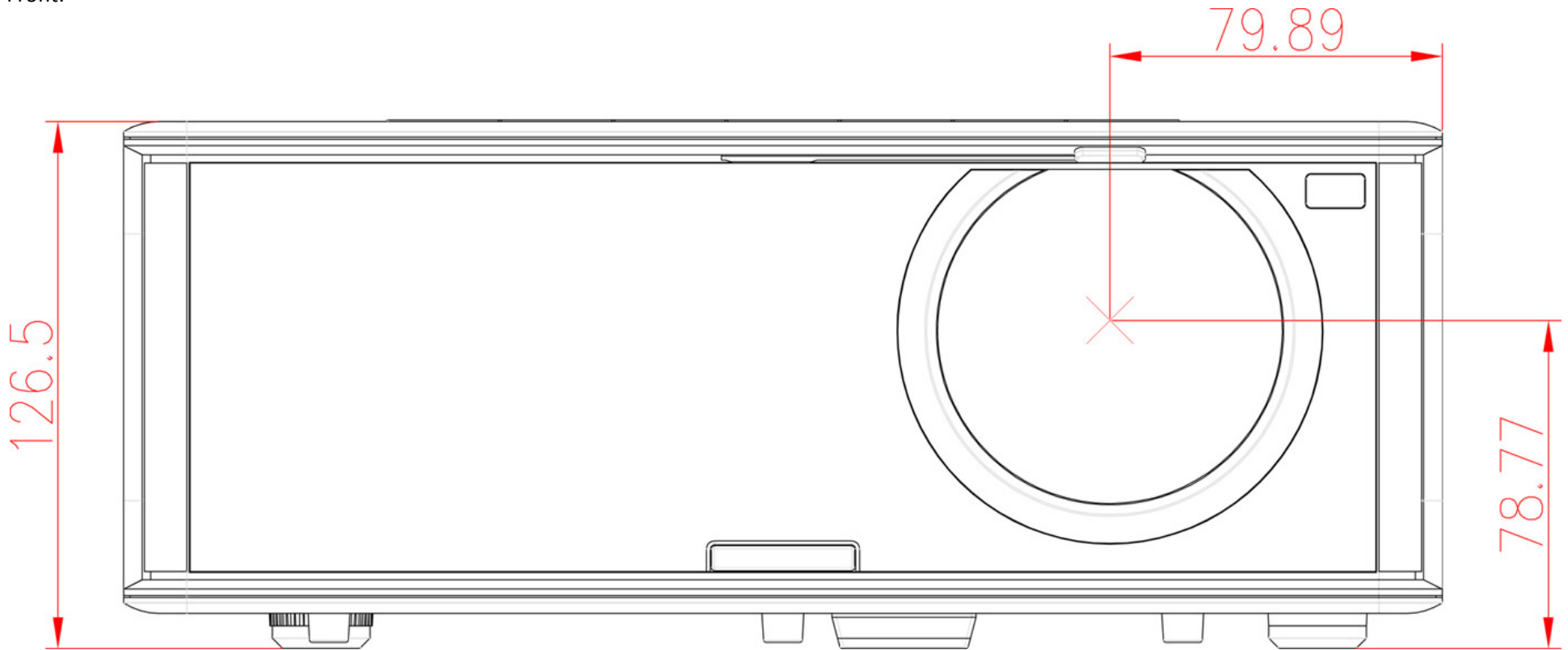


InFocus

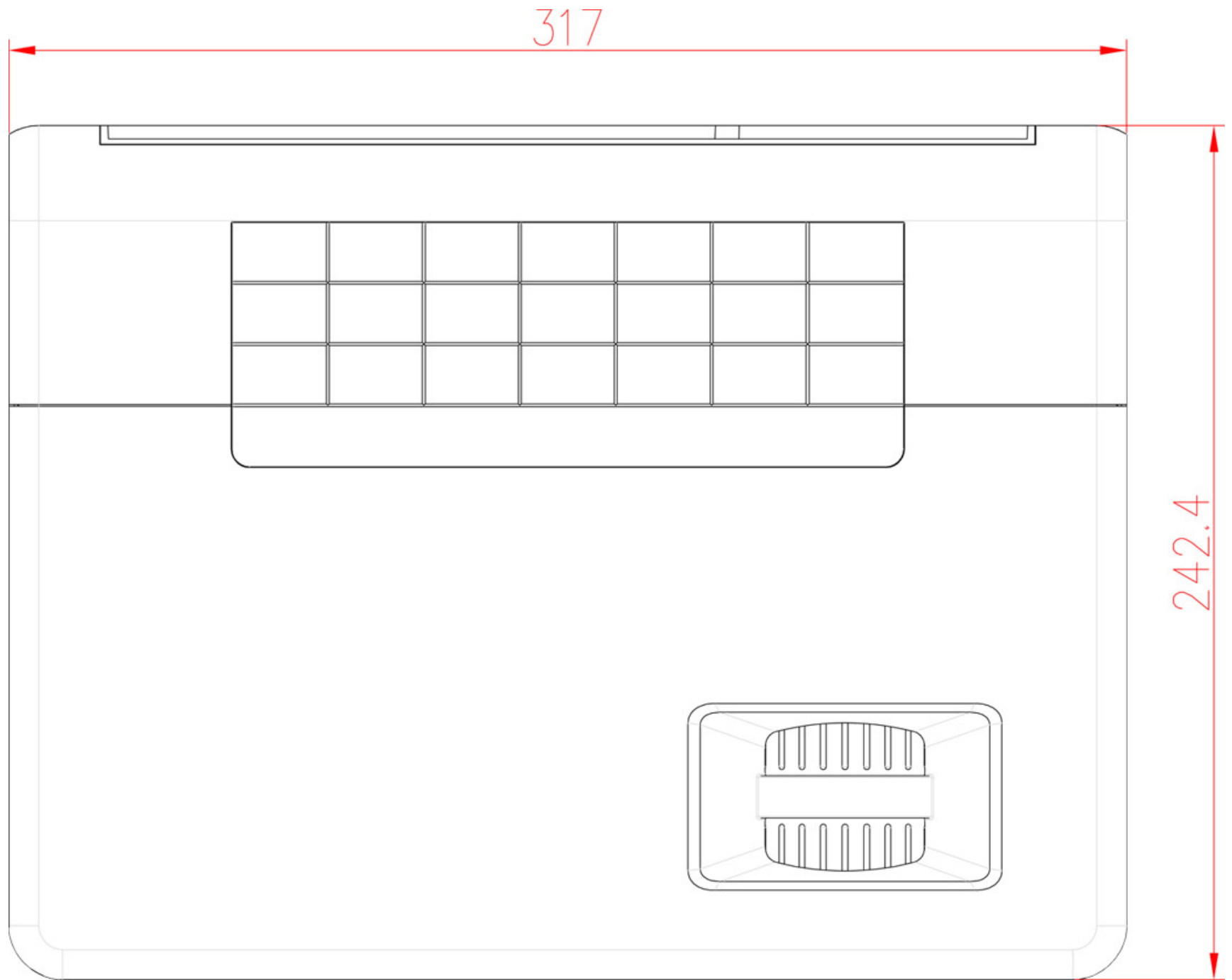
Dimensional Drawing

Product	IN2112, IN2114, IN2116, IN3114 & IN3116
Title	Dimensional Drawing
Date	01-February-2010

All Measurements in millimeters.
Front:



Top:



Bottom:

