

Velodyne®

WELCOME. . .
**to the SubContractor
Series**
Webinar

Presenters:

Bruce Hall,
Velodyne President

Chris Kallai,
*Velodyne Director
of Engineering*

Velodyne®

INTRODUCING *The SubContractor Series*



www.velodyne.com

- A reference sub for every installation situation
 - Cabinet, wall, floor, ceiling, free standing
- SPL-R performance
- Outboard amplifier
 - Runs up to two subs
- Standard speaker wire connections



- 1250 watts RMS, 3000 watts peak
- 7-band Auto-EQ (mic included)
- DSP control
- Rack mount ears included
- Remote with presets, phase, etc.



MIC INPUT

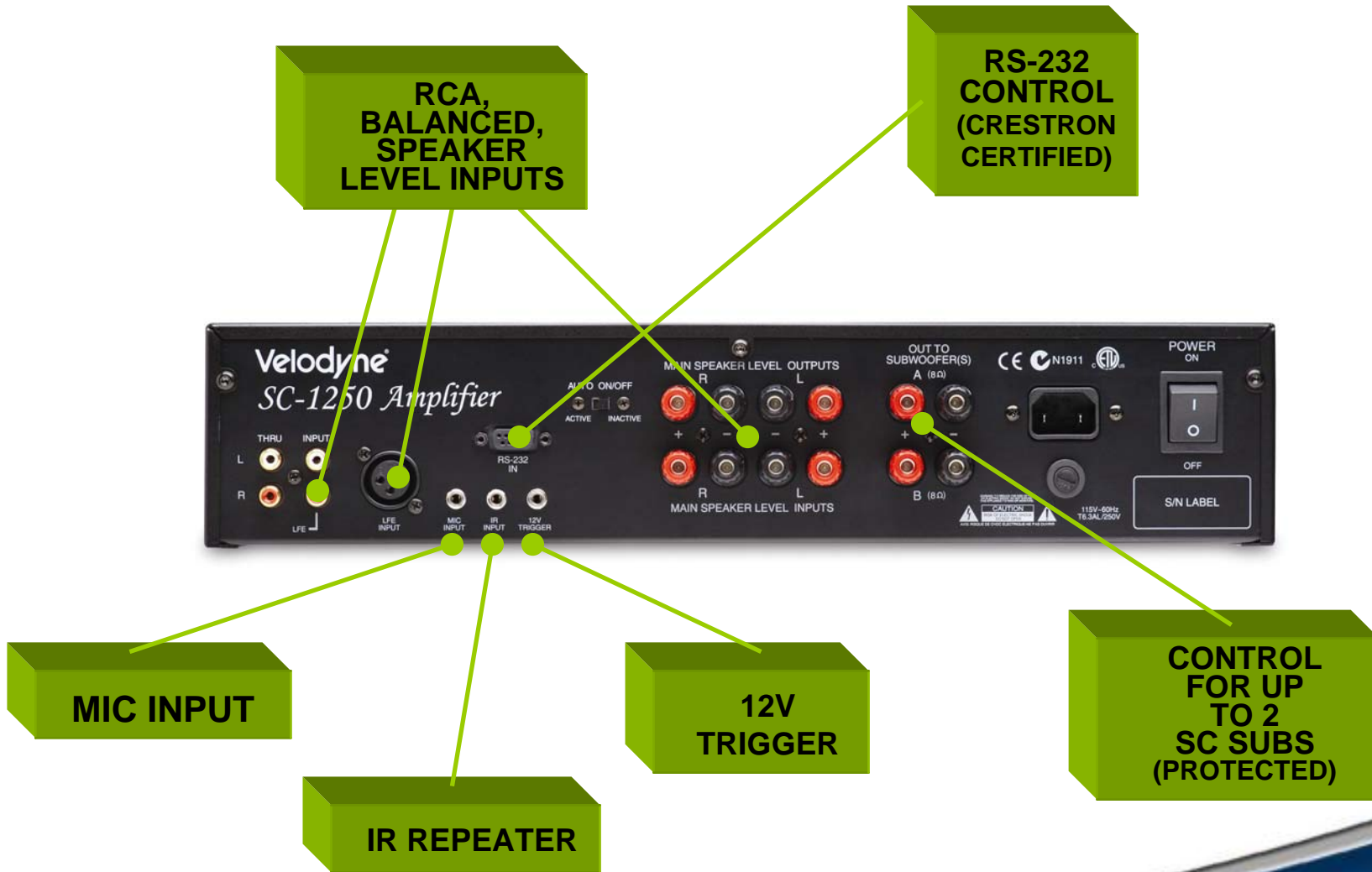
IR INPUT

CROSSOVER CONTROL

LED – Volume, Crossover, Model Select

VOLUME CONTROL

- Easy Hookup and Setup

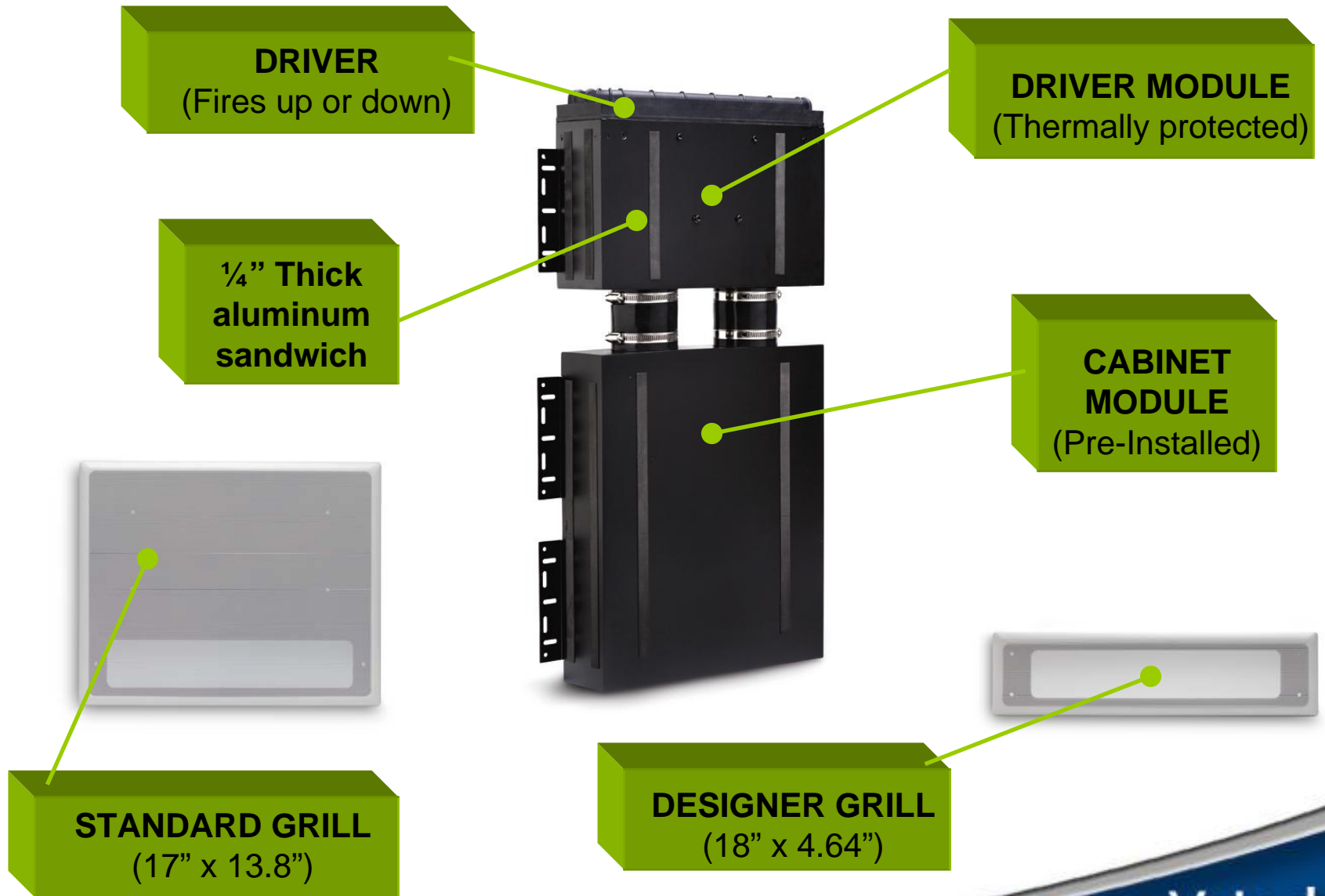


- 4 models to choose from (HWD):
 - SC-8: 10 3/4" x 10 1/2" x 9 1/8"
 - SC-10: 12 7/8" x 12 3/8" x 9 1/2"
 - SC-12: 14 3/4" x 14 3/8" x 10 1/8"
 - SC-15: 18 3/8" x 18" x 13 3/8"
- Connects with conventional speaker wire
- Down-firing or front-firing
- Fits easily into standard millwork
- Line drawings posted on www.velodyne.com

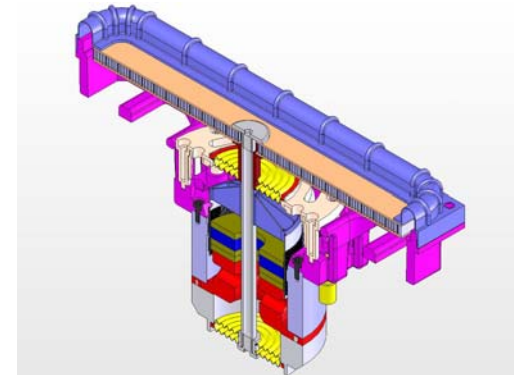


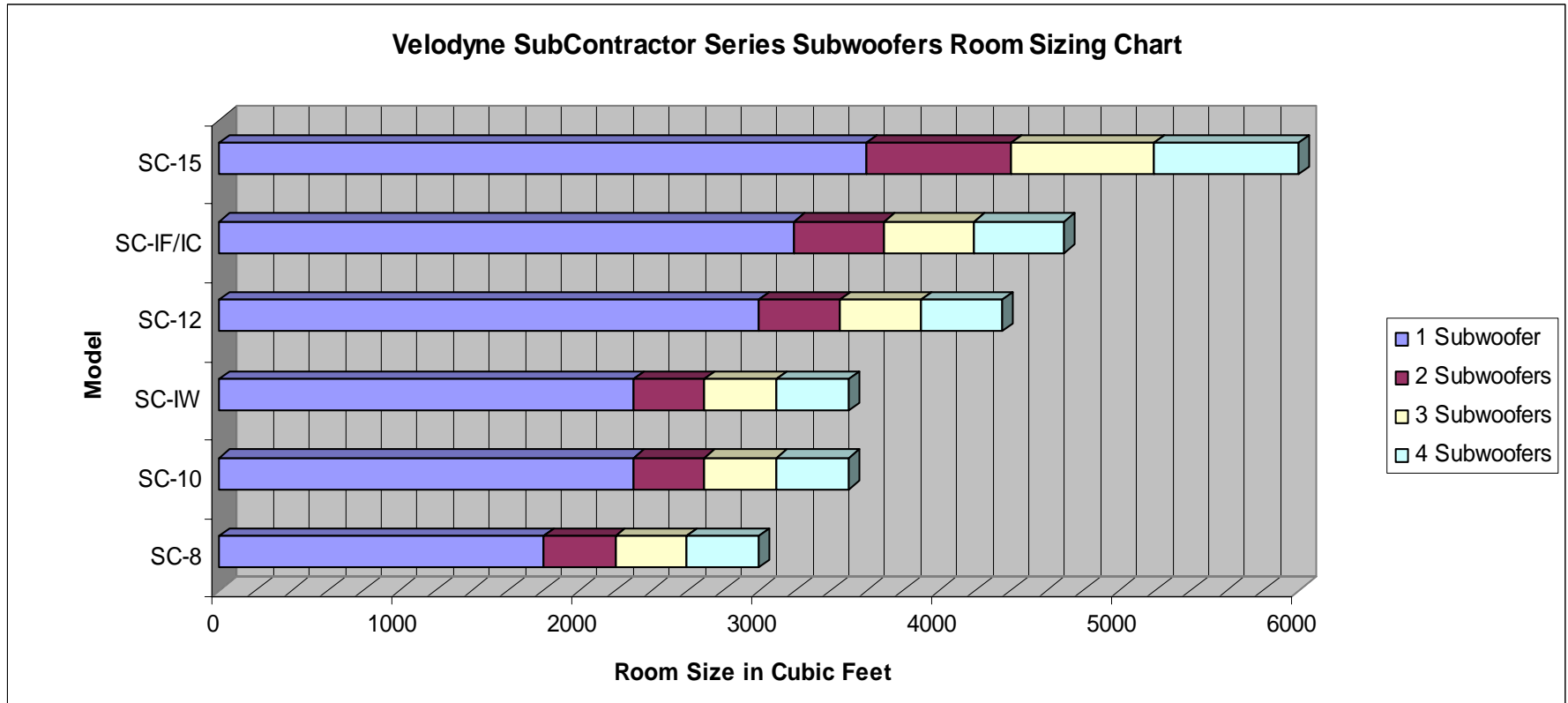
- Dimensions (HWD):
 - SC-IF / SC-IC: 25 3/4" x 14" x 9"
- Fits between joists
- Multiple applications
- Out performs the SPL-1200R
- 4 mounting brackets included
- Internal bracing





- Vertically firing T-shaped driver
- Maximizes driver travel / output
- Minimizes wall vibration
- Propriety Patent Pending Driver Design
- Unique “drive shaft” design
- Neodymium motor structure





Note: Calibrated for High-Output Bass Performance

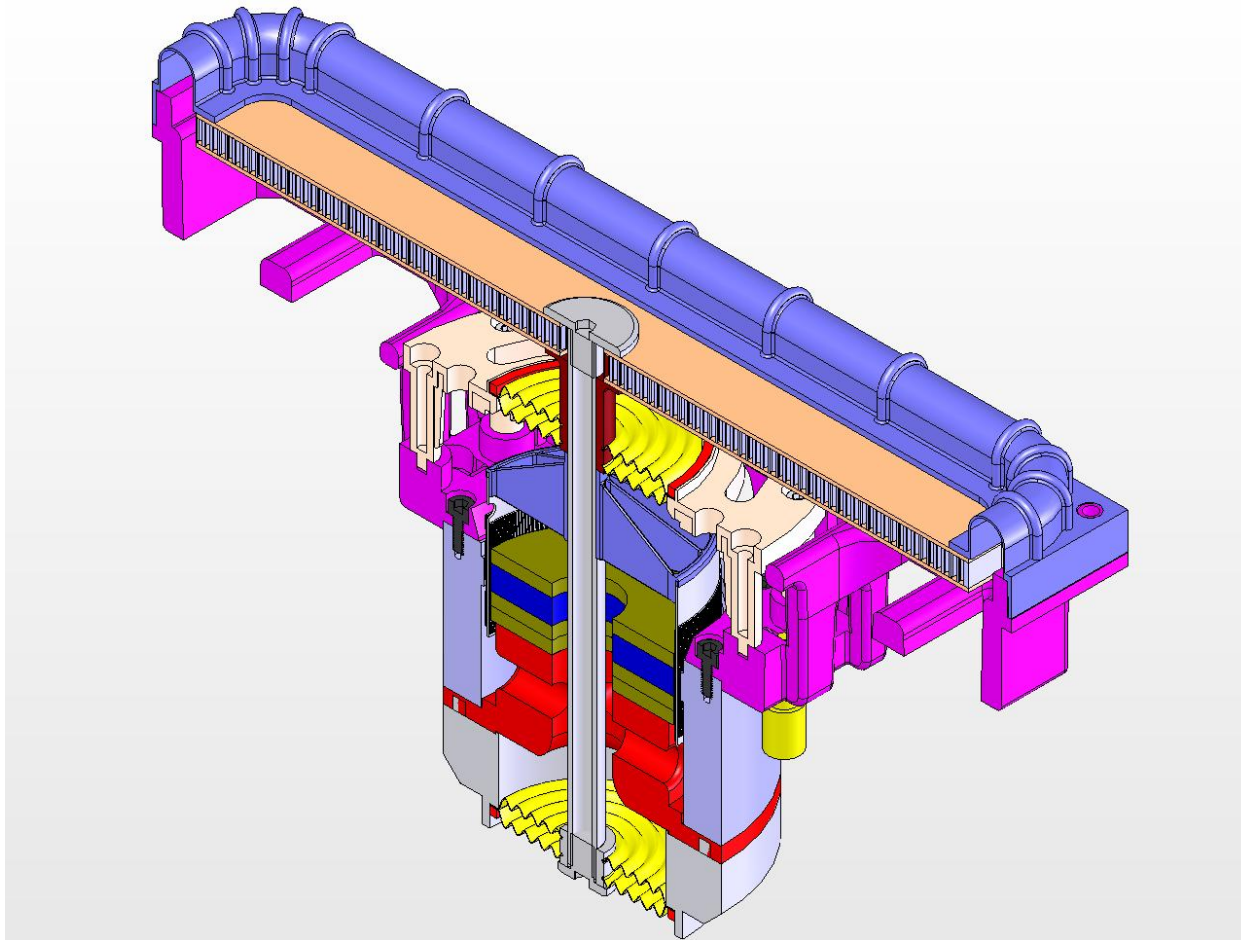
SC Series = Always having a sub for any installation



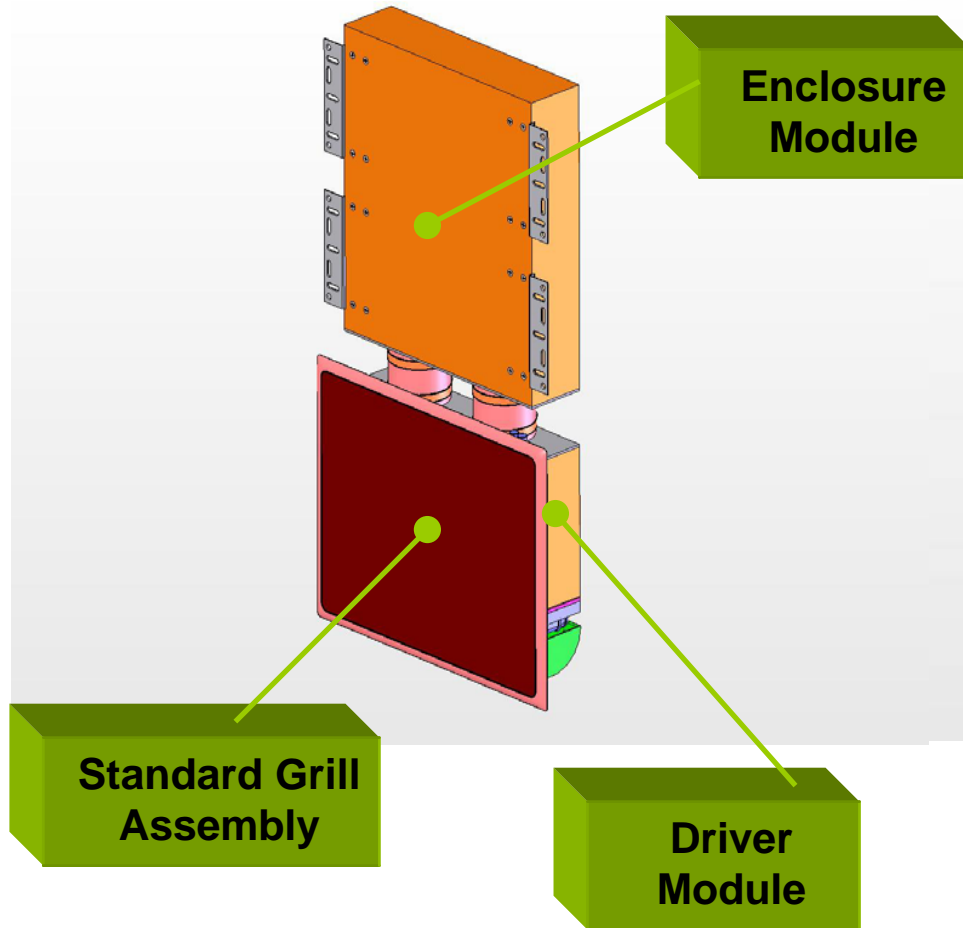
Close-Up on the SC-IW (In-Wall)



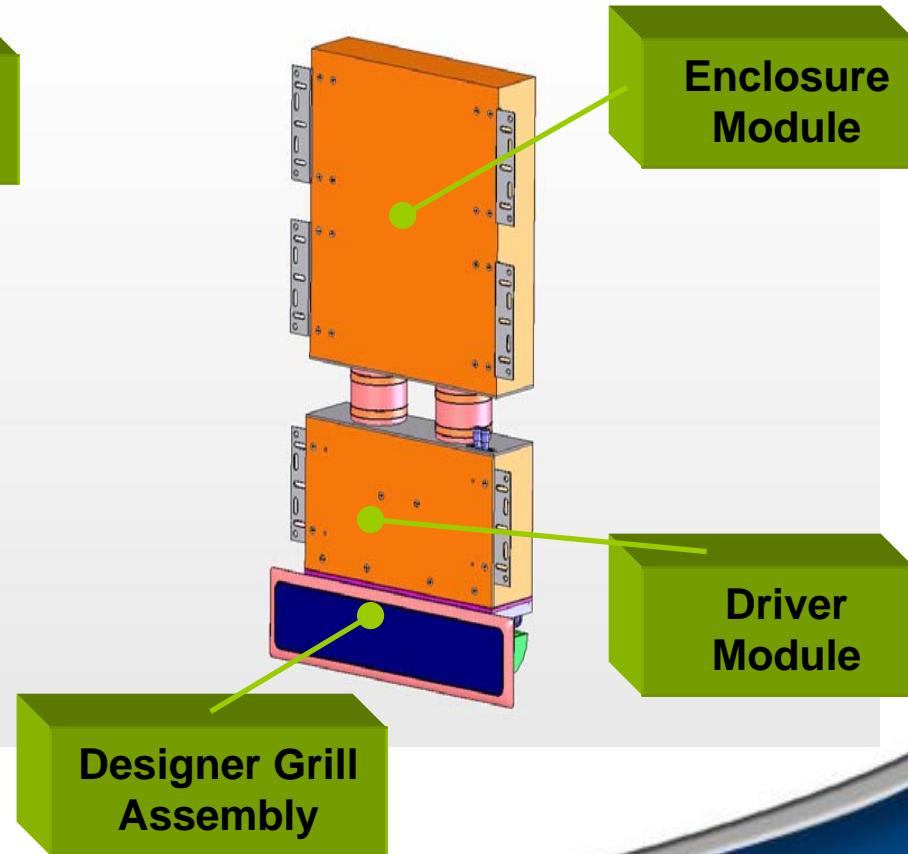
The Driver



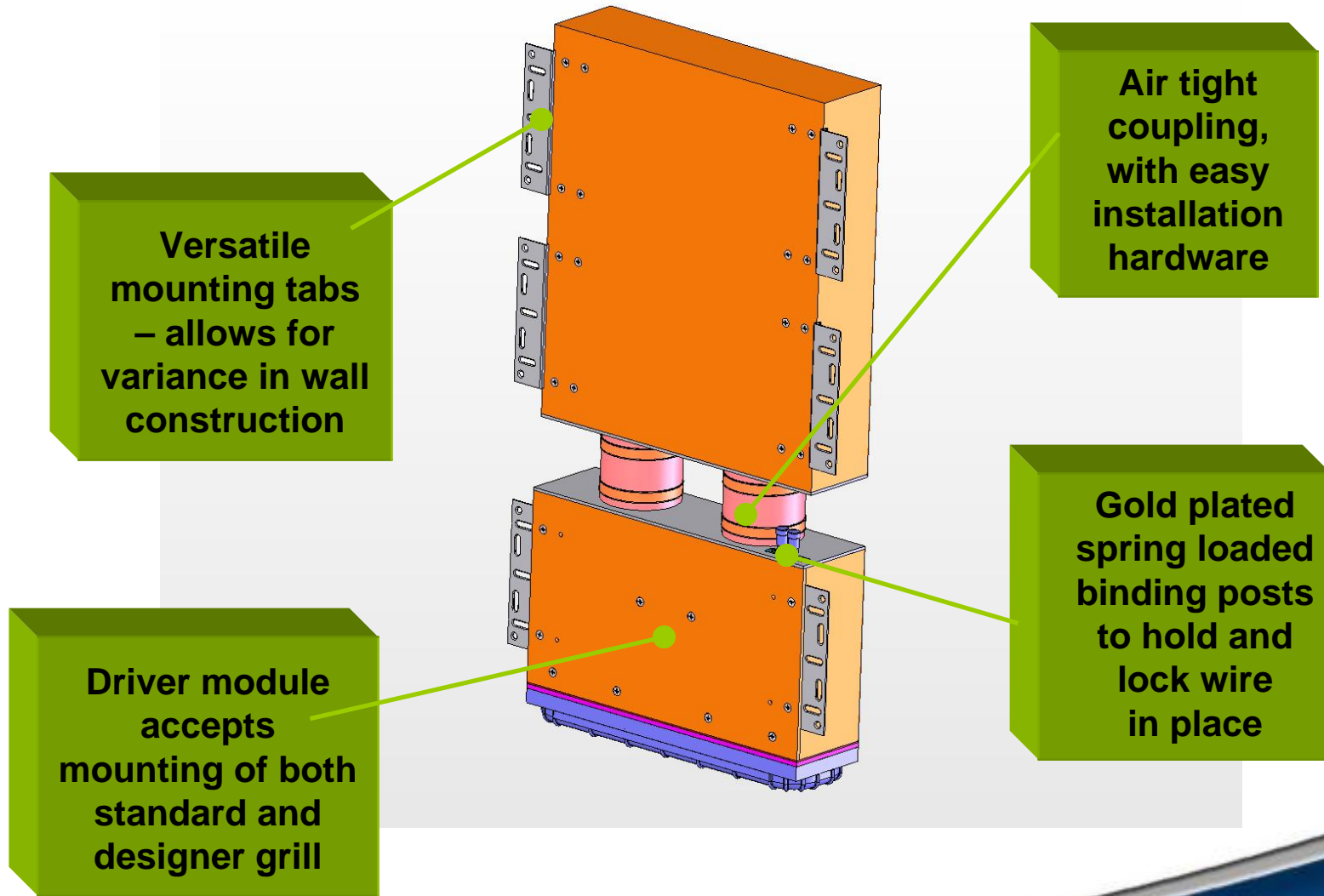
With Standard Grill



With Designer Grill



Product Details



**The In-Wall Subwoofer ships ready
to install for both.....**

**New Construction
Installation**

- and -

**Retro Fit
Installation**



Step 1 – Get to the Wall

Step 2 – Install Cabinet Module and Mudring



Step 3 – Run wire from Velodyne Amplifier, thru wall, to location where driver module will install

Step 4 – Finish Wall

Step 5 – Install Driver Module



Step 6 – Driver Module Installed



Step 7 – Install Grill Frame



Step 8 – Install Standard Metal Grill



Step 1 – Get to the Wall



Step 2 –

- a) **Decide on grill location and cabinet orientation. Typically the unit will be “downward firing” with the grill near the floor**
- b) **Cut opening in drywall using included template**



Step 3 – Install Cabinet module



Step 4 – Run wire from Velodyne amplifier, thru wall, to driver module



Step 5 – Install filler plate

Step 6 – Install ½ inch drywall

Step 7 – Mud, tape, texture and painting



Step 8 – Install plastic grill housing



**Step 9 – Install
metal grill**

Summary

- Fits flush to wall
- Use cabinet module for new construction
 - minimum \$ investment up front
- Use both modules for retro fit
- Expect high performance, minimal vibration
- Run 1 or 2 subwoofers off same amp
- Use standard grill for easy servicing; designer grill for interior designer acceptance
- Paintable grill

Question & Answer

Thank you for attending “Introducing the New
SubContractor Subwoofer Series” Webinar

For more information contact your local
Velodyne representative or visit us at
www.velodyne.com